

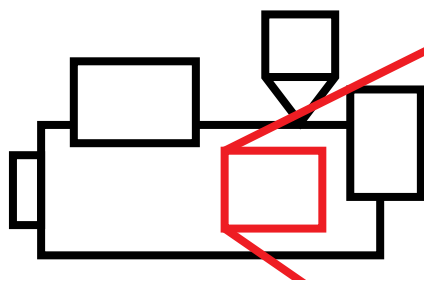
# Mold Counter



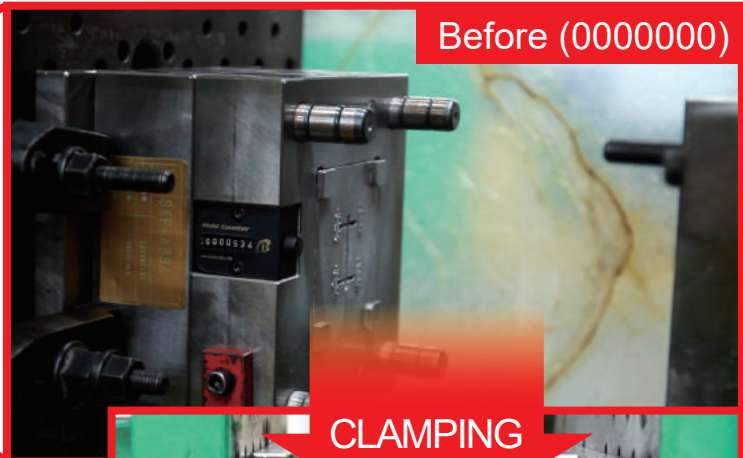
**Principal Application:** Tracks the closing times of each plastic injection mold, estimating the life of a mold accurately. The counter can be mounted internally or externally with an actuation block.



## OPERATION ILLUSTRATION



Injection Molding Machine



Before (0000000)



CLAMPING

After (0000001)

## FEATURES

1. Counting is mechanically, batteries are not needed.
2. No miscount will occur if counter is installed correctly.
3. Each counter has an unique serial number that will be used to identify the counter with the mold.
4. The counter is non-resettable.
5. For mold testing purposes, the 7-digit indicator does not start from 0 (a value of 9999980 will be shown).
6. Heat resistant up to 160°C / 320°F (MRSP2-7)

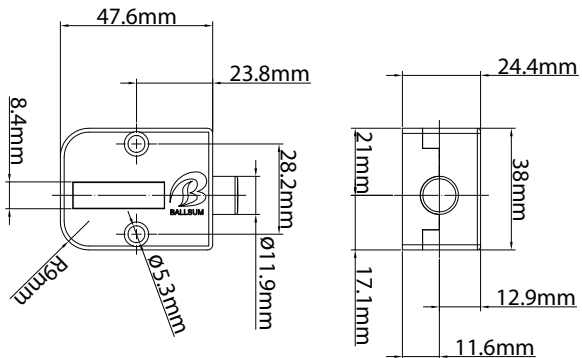
High Temperature Testing Video Link



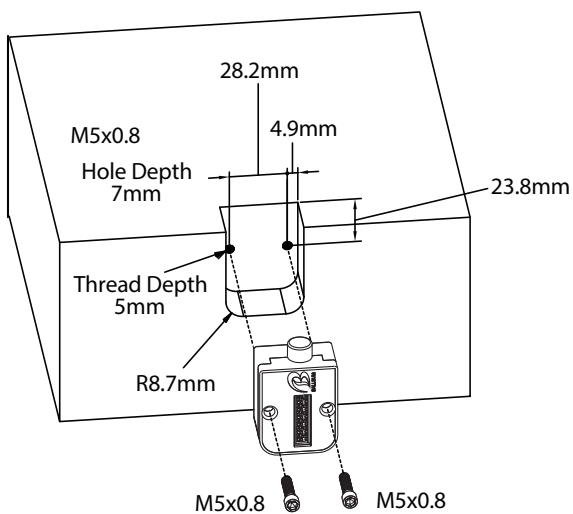
BALLSUM MOLD COUNTER

BMCS-7 / MRSP-7 / MRSP2-7

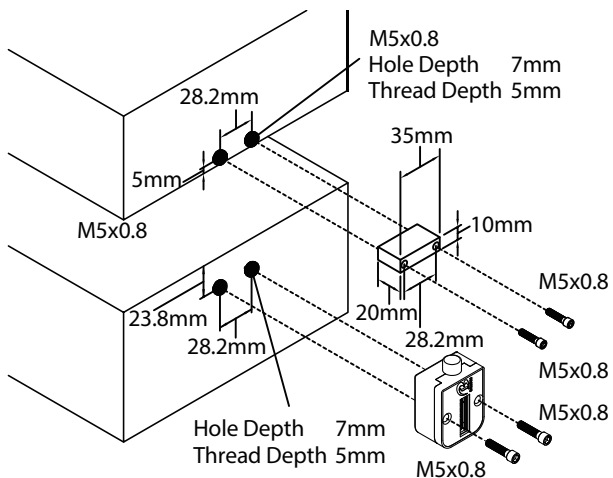
**MRSP-7 & MRSP2-7**



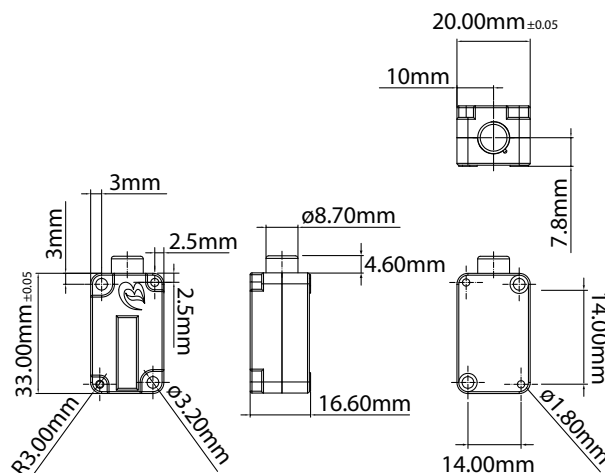
**Parting Line Mount Type**



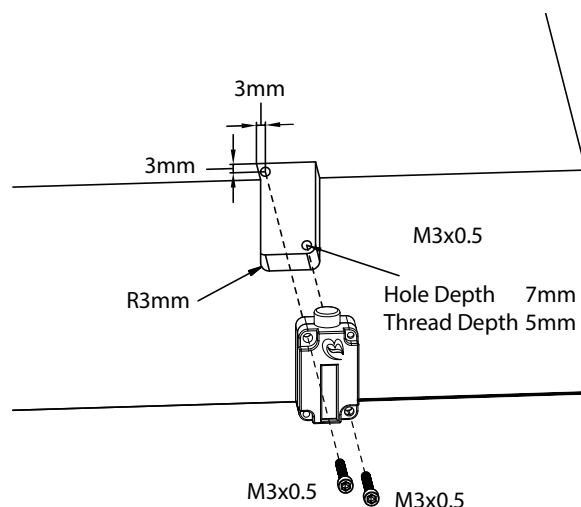
**External mount type**



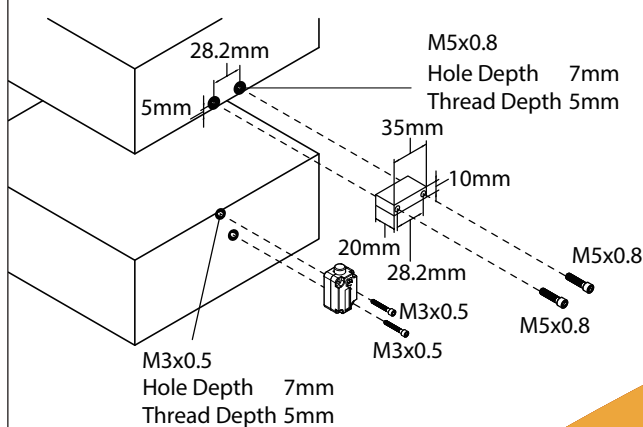
**BMCS-7**



**Parting Line Mount Type**



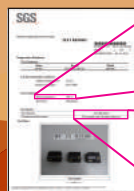
**External mount type**



**SPECIFICATION**

Counter	BMCS-7	MRSP-7	MRSP2-7
Warranty(times)	2 millions	3 millions	Permanent
Heat Resistant	120 °C / 248 °F	120 °C / 248 °F	160 °C / 320 °F
Feature	Smallest in the mold industry.		Highest temperature resistance in the mold industry.

**SGS INSPECTION REPORT**



Test Temperature : 160 °C

Test Result(s)  
The sample can calculate after test.