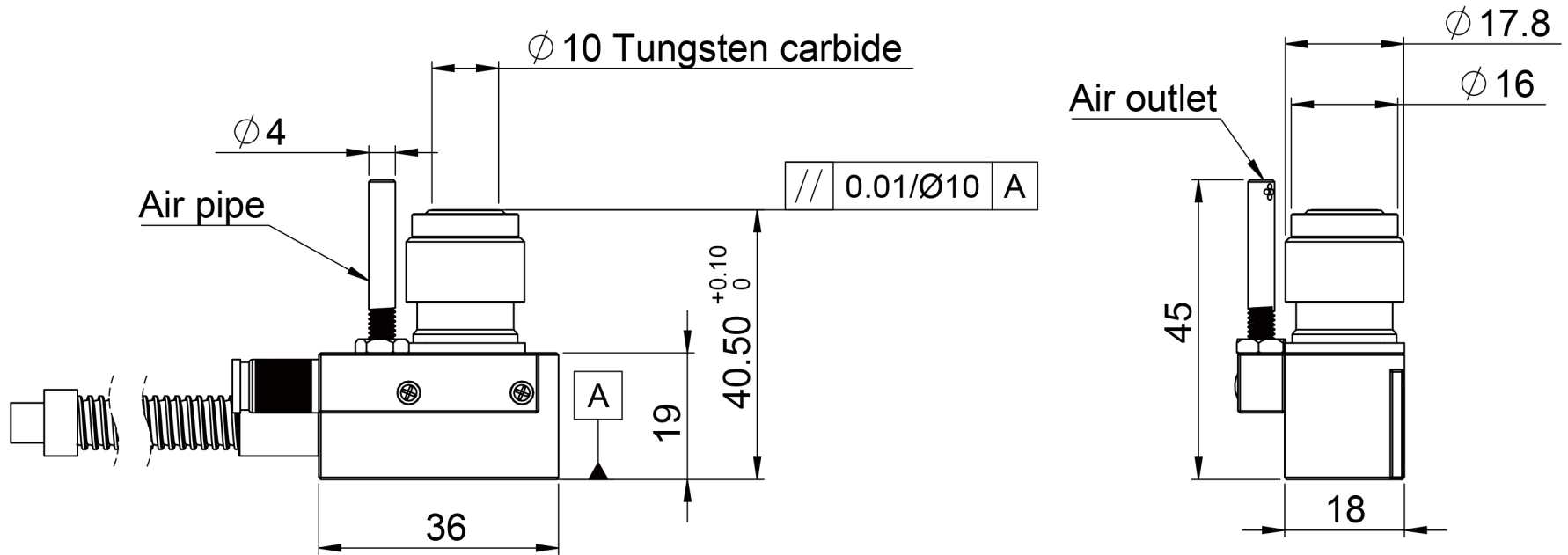
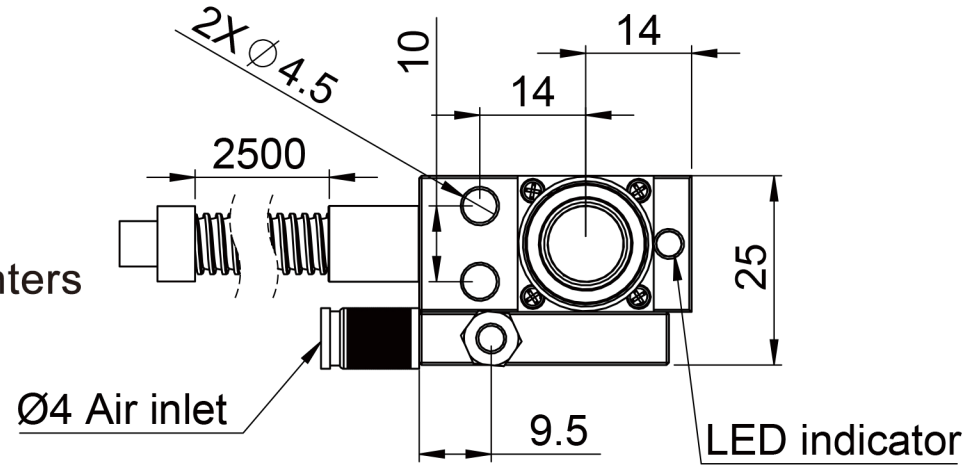


T10Z

Automatic Type
Tool Setter
For CNC Machine Centers



<https://t-sense.tw>
email: tsense@tsense-tw.com